



Standard Features & Accessories

All models include

- Exclusive VSH™ Pro Sealed Burner System (VariSimmer™ to High)—combination of patented burner and top design provide ease of cleaning plus superior performance at simmer and high
- Exclusive VariSimmer™ setting for all burners
- Exclusive tooled and porcelainized cooking surface contains spills for easy cleaning

- Brass sealed burners with porcelain/cast iron caps and automatic ignition/re-ignition
- Drip tray with roller bearing glides and two-quart drip pan

6G model includes

- Six 15,000 BTU burners
- 12"W. thermostatically controlled steel griddle/simmer plate

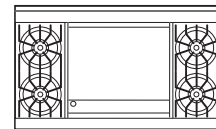
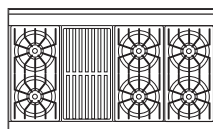
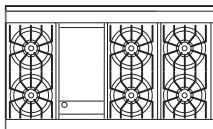
6Q model includes

- Six 15,000 BTU burners
- 12"W. grill with flavor generator plates and automatic ignition/re-ignition

4G model includes

- Four 15,000 BTU burners 24"W. thermostatically controlled steel griddle/simmer plate (separate burners/controls for left and right sides)

Model Options



VGRT482-6G*
48"W. Six-Burner/
Griddle Rangetop

VGRT482-6Q*
48"W. Six-Burner/
Grill Rangetop

VGRT482-4G*
48"W. Four-Burner/
Double Griddle Rangetop

FINISH DETAILS FOR ALL MODELS

- Stainless Steel (SS), Black (BK), White (WH), Metallic Silver (MS), Graphite Gray (GG), Stone Gray (SG), Taupe (TP), Biscuit (BT), Cotton White (CW), Oyster Gray (OG), Golden Mist (GM), Lemonade (LE), Sage (SA), Mint Julep (MJ), Sea Glass (SE), Iridescent Blue (IB), Viking Blue (VB), Pumpkin (PM), Racing Red (RR), Apple Red (AR), Burgundy (BU), Plum (PL), Chocolate (CH), and Cobalt Blue (CB).
 - o Finish designates color of enamel control panel.
 - o Units have black porcelain grates, black porcelain burner caps, black porcelain grate support/burner bowls and white knobs.
- White (WH)
 - o White finishes have white enamel control panels, black porcelain grates, black porcelain burner caps, white porcelain grate support/burner bowls and white knobs.
- All finishes have stainless steel drip tray pull, and landing ledge.
- Brass Trim Option (BR)—nameplate, drip tray pull, knob bezels and grate support side trim. Brass components have a durable protective coating for maintenance-free normal use

*Shown throughout with 6"H. backguard. See Installation Notes & Accessories for details.

ORDERING INSTRUCTIONS

First specify model number, and then color code (VGRT482-6GSS). If ordering optional brass trim, specify code at end (VGRT482-6GSSBR). If ordering optional LP conversion, specify code at end (VGRT482-6GSSBRLP).





Standard Features & Accessories

All models include

- Exclusive VSH™ Pro Sealed Burner System (VariSimmer™ to High)—combination of patented burner and top design provide ease of cleaning plus superior performance at simmer and high
- Exclusive VariSimmer™ setting for all burners
- Exclusive tooled and porcelainized cooking surface contains spills for easy cleaning

- Brass sealed burners with porcelain/cast iron caps and automatic ignition/re-ignition
- Drip tray with roller bearing glides and two-quart drip pan

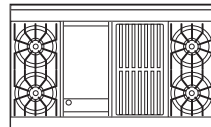
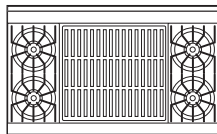
4Q model includes

- Four 15,000 BTU burners
- 24"W. grill with flavor generator plates and automatic ignition/re-ignition (separate burners/controls for left and right sides)

4GQ model includes

- Four 15,000 BTU burners
- 12"W. thermostatically controlled steel griddle/simmer plate
- 12"W. grill with flavor generator plates and automatic ignition/re-ignition

Model Options



VGRT482-4Q*
48"W. Four-Burner/
Double Grill Rangetop

VGRT482-4GQ*
48"W. Four-Burner/
Griddle/Grill Rangetop

FINISH DETAILS FOR ALL MODELS

- Stainless Steel (SS), Black (BK), White (WH), Metallic Silver (MS), Graphite Gray (GG), Stone Gray (SG), Taupe (TP), Biscuit (BT), Cotton White (CW), Oyster Gray (OG), Golden Mist (GM), Lemonade (LE), Sage (SA), Mint Julep (MJ), Sea Glass (SE), Iridescent Blue (IB), Viking Blue (VB), Pumpkin (PM), Racing Red (RR), Apple Red (AR), Burgundy (BU), Plum (PL), Chocolate (CH), and Cobalt Blue (CB).
 - Finish designates color of enamel control panel.
 - Units have black porcelain grates, black porcelain burner caps, black porcelain grate support/burner bowls and white knobs.
- White (WH)
 - White finishes have white enamel control panels, black porcelain grates, black porcelain burner caps, white porcelain grate support/burner bowls and white knobs.
- All finishes have stainless steel drip tray pull, and landing ledge.
- Brass Trim Option (BR)—nameplate, drip tray pull, knob bezels and grate support side trim. Brass components have a durable protective coating for maintenance-free normal use

*Shown throughout with 6"H. backguard. See **Installation Notes & Accessories** for details.

ORDERING INSTRUCTIONS

First specify model number, and then color code (VGRT482-4QSS). If ordering optional brass trim, specify code at end (VGRT482-4QSSBR). If ordering optional LP conversion, specify code at end (VGRT482-4QSSBRLP).





COOKING

Professional Built-In Gas 48"W. Sealed Burner Rangetop



★ Please see Installation Notes & Accessories for important installation information, including backguard, high-shelf, and island trim.



ALL MODELS

Star-K Kosher Certification for use on the Jewish Sabbath or Jewish holidays

Dimensions & Specifications

PRODUCT DIMENSIONS



VGRT482-6G
48"W. Six-Burner/
Griddle Rangetop



VGRT482-6Q
48"W. Six-Burner/
Grill Rangetop



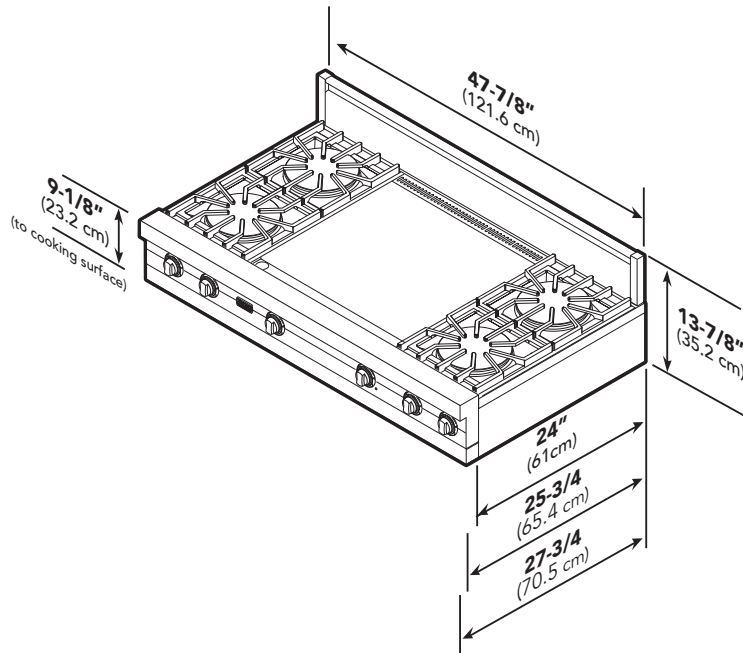
VGRT482-4G
48"W. Four-Burner/
Double Griddle
Rangetop



VGRT482-4Q
48"W. Four-Burner/
Double Grill
Rangetop



VGRT482-4GQ
48"W. Four-Burner/
Griddle/Grill
Rangetop



All models	
Cutout width	48" (121.9 cm)
Cutout height	7-5/8" (19.4 cm)*
Cutout depth	24" (61.0 cm) min. to 25-3/4" (65.4 cm) max.
Overall width	47-7/8" (121.6 cm)
Overall height (from bottom)	
To cooking surface	9-1/8" (23.2 cm)
To top of island trim	8-7/8" (22.5 cm)
To top of 6" backguard	13-7/8" (35.2 cm)
To top of 10" backguard	17-7/8" (45.4 cm)
To top of high shelf	31-3/8" (79.7 cm)
Overall depth (from rear)	
To end of side panel	24" (61.0 cm)
To end of control panel	25-3/4" (65.4 cm)
To end of knobs	27-3/4" (70.5 cm)

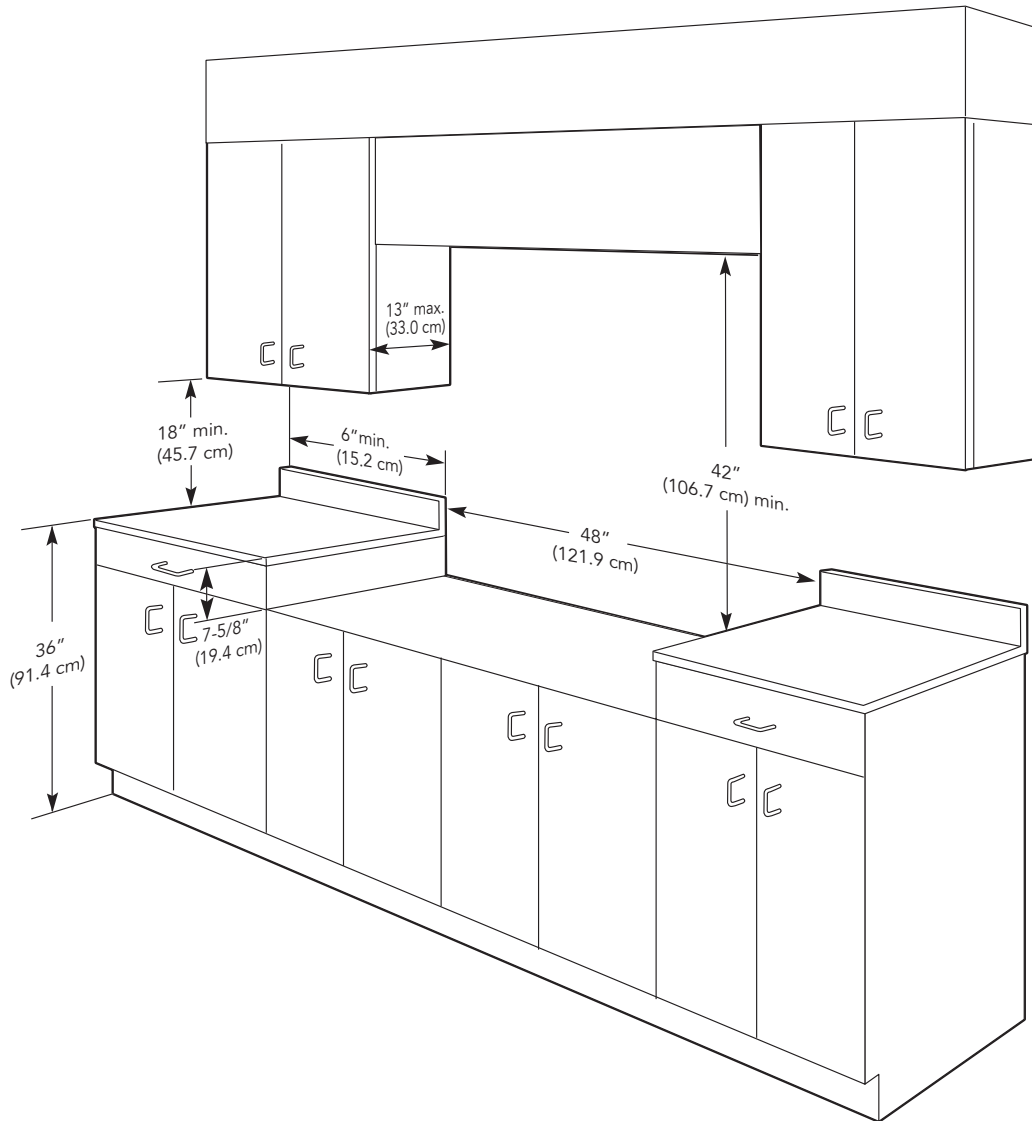
*Top of grate support should be 3/8" (1.0 cm) above countertop.





Dimensions & Specifications

CLEARANCE DIMENSIONS



Minimum clearances from adjacent combustible construction

- Cooking surface and below, i.e. 36" (91.4 cm) and below
 - Sides—0"
 - Rear
 - 0" with backguard or high-shelf
 - 0" with island trim and non-combustible rear wall
 - 6" (15.2 cm) with island trim and combustible rear wall.
 - Top grate support—36" (91.4 cm)
 - Important:** The top grate support **must** be 3/8" (0.95 cm) above the adjacent base cabinet countertop.
- Above cooking surface, i.e., above 36" (91.4 cm)
 - Sides—6" (15.2 cm)
 - Within 6" (15.2 cm) side clearance, wall cabinets no deeper than 13" (33.0 cm) must be minimum 18" (45.7 cm) above cooking surface.
 - Wall cabinets directly above product must be minimum 42" (106.7 cm) above cooking surface.
 - * This minimum height requirement does not apply if a rangehood is installed over the cooking surface.

Do not install two or more units side-by-side.



UTILITY REQUIREMENTS



GAS

- o Shipped natural gas standard; convert to LP/propane with standard convertible regulator
- o Accepts standard residential 1/2" (1.3 cm) ID gas service line
- o Gas manifold pressure
- o Natural gas 5.0" W.C.P.
- o LP/Propane 10.0" W.C.P.



ELECTRICAL

- Four-foot (121.9 cm) cord included with range
- Three-wire with ground/three-prong plug
- 120 V/60 Hz
- Maximum amp usage—
 - o 6G—4.2
 - o 6Q—0.6
 - o 4G—7.2
 - o 4Q—0.6
 - o 4GQ—4.2



PLUMBING

Not applicable

Installation Requirements

ACCESS REQUIREMENTS



VGRT482-6G
Six-Burner/
Griddle
Rangetop



VGRT482-6Q
Six-Burner/
Grill Rangetop



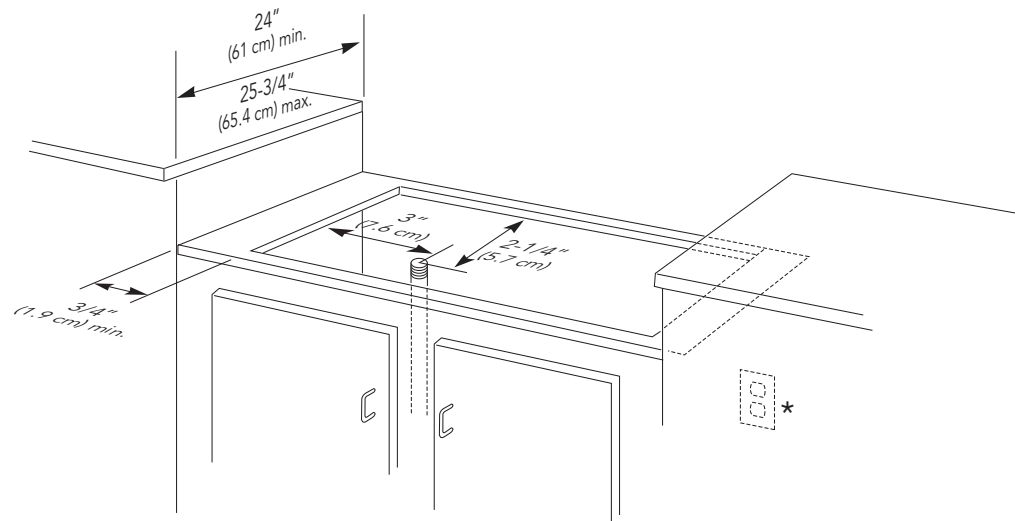
VGRT482-4G
Four-Burner/
Double Griddle
Rangetop



VGRT482-4Q
Four-Burner/
Double Grill
Rangetop



VGRT482-4GQ
Four-Burner/
Griddle/Grill
Rangetop



*120 VAC/50 Hz within 48" (121.9 cm) of right rear of rangetop.

	VGRT482-6G	VGRT482-6Q	VGRT482-4G	VGRT482-4Q	VGRT482-4GQ
Cutout width	48" (121.9 cm)				
Cutout height	7-5/8" (19.4 cm)**				
Cutout depth	24" (61.0 cm) min. to 25-3/4" (65.4 cm) max.				
Surface burner rating					
Four grated burners			15,000 BTU Nat. (4.4 kW)/ 13,500 BTU LP (4.0 kW)	15,000 BTU Nat. (4.4 kW)/ 13,500 BTU LP (4.0 kW)	15,000 BTU Nat. (4.4 kW)/ 13,500 BTU LP (4.0 kW)
Six grated burners	15,000 BTU Nat. (4.4 kW)/ 13,500 BTU LP (4.0 kW)	15,000 BTU Nat. (4.4 kW)/ 13,500 BTU LP (4.0 kW)			
One griddle	15,000 BTU Nat. (4.4 kW)/ 13,500 BTU LP (4.0 kW)				15,000 BTU Nat. (4.4 kW)/ 13,500 BTU LP (4.0 kW)
One grill			18,000 BTU Nat. (5.3 kW)/ 16,000 BTU LP (4.7 kW)		
Two grills			15,000 BTU Nat. (4.4 kW)/ 13,500 BTU LP (4.0 kW)		
Two griddles			15,000 BTU Nat. (4.4 kW)/ 13,500 BTU LP (4.0 kW)		

**Top of grate support should be 3/8" (1.0 cm) above countertop.



COOKING

Professional Built-In Gas 48"W. Sealed Burner Rangetop



★ Installation Notes & Accessories

A backguard, high-shelf, or island trim must be used for all installations.

6"H. Backguard

- Stainless Steel (SS)
- Coordinates with all finishes

Model	Description	Approx. ship wt. lbs. (kg)
B48BG6	48"W./6"H. backguard	24 (10.8)

10"H. Backguard

- Stainless Steel (SS)
- Coordinates with all finishes

Model	Description	Approx. ship wt. lbs. (kg)
B48BG10	48"W./10"H. backguard	27 (12.2)

High-shelf

- Stainless Steel (SS)
- Coordinates with all finishes
- Shelf comes attached to a 24"H. backguard

Model	Description	Approx. ship wt. lbs. (kg)
B48HS24	48"W. high-shelf	60 (27.0)

Island Trim

- Stainless Steel (SS)
- Coordinates with all finishes
- For island/peninsula installation
- Can replace backguard if wall is non-combustible

Model	Description	Approx. ship wt. lbs. (kg)
B48TII	48"W. island trim	15 (6.8)

Countertop Side Trim

- Stainless Steel (SS)
- Coordinates with all finishes
- Installs on side of unit; overlaps countertop
- One pair of trim

Model	Description	Approx. ship wt. lbs. (kg)
TE24CST	24"D. side trim	2 (0.9)

LP/Propane Conversion Kit

- Allows for field conversion of range from natural gas to LP

Model	Description	Approx. ship wt. lbs. (kg)
LPKSBRR	Natural to LP/propane conversion kit	2 (0.9)

Compliance Information



WARRANTY INFORMATION*

- One-year full warranty—complete product
- Ten-year limited warranty—surface burners, griddle burners and grill burners
- Ninety-day limited warranty—cosmetic parts such as glass, painted, and decorative items

* For complete warranty see *Use & Care Guide*. Warranty valid on Viking products shipped within the United States and Canada.

